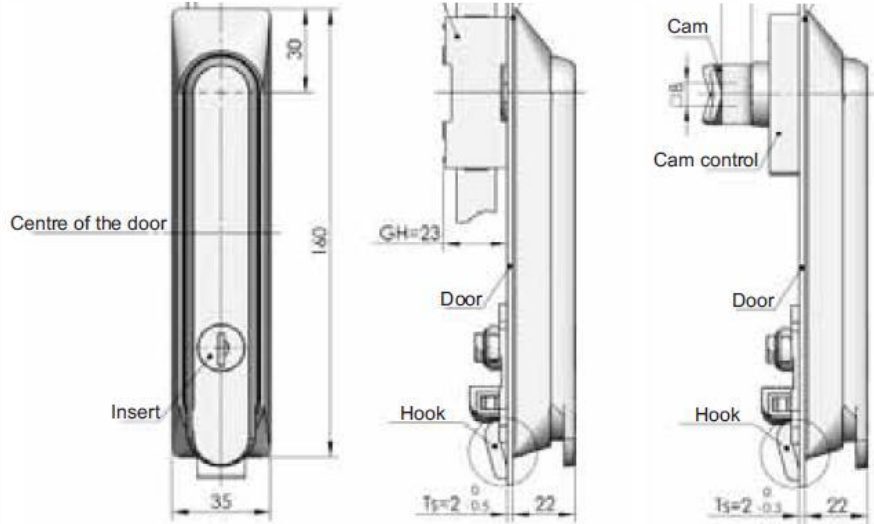
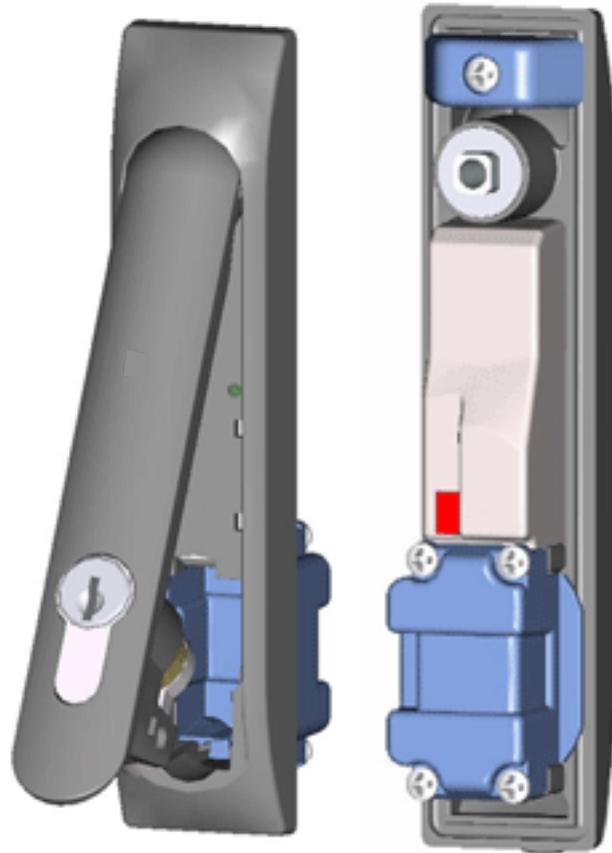


smartHANDLE LOCK



Main material and finish:
 Black PA handle, housing and dust-proof cap, white zinc-plated steel cam and rod, ZDC profile cylinder

Application:
 Handle quarter-turn combines with rod latch system to open or close



* smart-i Policy is one of constant improvement. We reserve the rights to alter specifications without any prior notice.

smart i ELECTRONICS SYSTEMS PVT. LTD.
 For more information call +91-22-6566 6555 or
 Email us @ enquiry@smartisystems.com
 www.smartisystems.com



PRESENCE: MUMBAI DELHI BANGALORE KOLKATA CHENNAI AHMEDABAD PUNE HYDERABAD